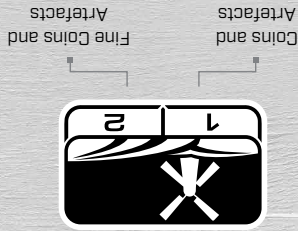


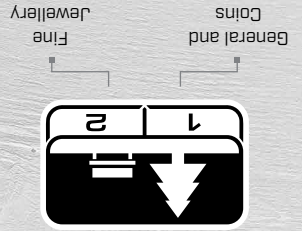
For all salty conditions – dry sand, wet sand, surf and underwater.

BEACH



Ideal for detecting in historical fields for the widest range of target sizes.

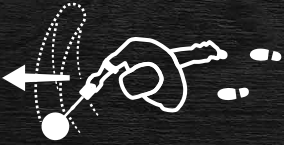
FIELD



Great for high-trash recreational areas, including most general detecting.

PARK

SEARCH MODES



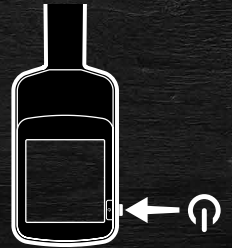
**GO
DETECTING**



**NOISE
CANCEL**



**SELECT
SEARCH MODE**



**TURN
ON**



QUICK START



X-TERRA PRO

GETTING STARTED GUIDE

This Getting Started Guide and the full length X-TERRA PRO® User Manual are available to download online.

Get these languages and more:

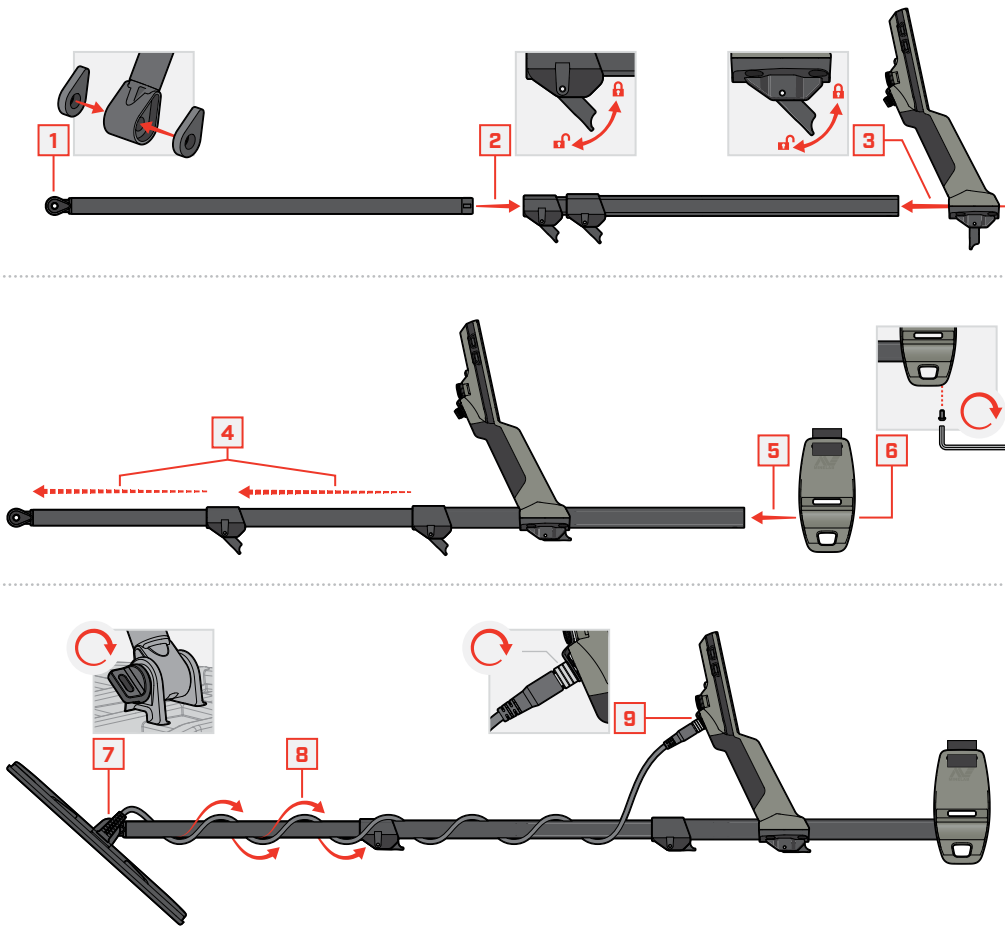
- DE** Deutsch
- FR** français
- KR** 한국어
- RU** русский
- ES** Español
- JP** 日本語
- PT** Português
- ZH** 中文

minelab.com

4901-0418-1

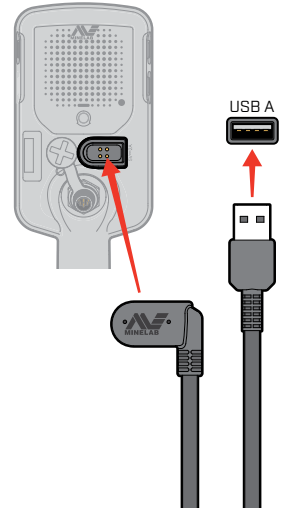


ASSEMBLY



CHARGING

5-6 HOURS



! Charge your detector with a good-quality USB charger that has a minimum charging capacity of 2A @ 5V.

Risk of USB charger failure if a low quality charger is used.

Look for the following marks on USB chargers:



CONTROLS & DISPLAY

